

Full Fan-Out Matrix Switch– MAS4489

HF / VHF / UHF / L-Band / S-Band (20 – 4200 MHz)



TECHNICAL DATA @ 25°C

| | |
|------------------------------------|--|
| Part No. | 1400324 |
| Number of inputs | 8 |
| Number of outputs | 8 |
| Architecture | Non-blocking, full-fan out Semiconductor switches |
| Frequency range | 20 – 4200 MHz |
| Gain [dB] | 1 ± 2.0 |
| Flatness [dB] | ± 2.5 max. |
| Noise Figure [dB] | 15 max. (up to 3GHz) |
| OPIP3 [dBm] | 10 min. |
| OPIP2 [dBm] | 30 min. |
| Isolation [dB] | |
| out/in | 60 min. |
| ...out/out | 40 min. |
| on/off | 50 min. |
| Crosstalk [dB] | 40 min |
| VSWR | |
| Input | 2.0:1 max. |
| Output | 2.0:1 max. |
| Output pwr [dBm] @ 1dB compr. | +5 typ. |
| Input pwr [dBm] non destructive | +10 max. CW |
| Impedance [Ω] | 50 |
| Connectors | |
| Input | SMA female |
| Output | SMA female |

| | |
|--------------------|---|
| Local control | LC display and keyboard, front panel |
| Remote control | RJ45 Ethernet port 10/100 Base T. TCP/IP & UDP, SNMP , GUI (browser interface) |
| Power supply | 80-264 V AC (47-63 Hz) |
| AC consumption | 70VA max. |
| Temperature range | Indoor use only |
| Operating | 0 ... +40°C |
| Storage | -10 ... +60°C |
| Colour: | Front panel: RAL7021 |
| Attached hardware | Power cord Operating manual |
| Dimensions (wxhxd) | 483mm x 44mm x 360mm (19" drawer, 1U) |
| Weight | 6 kg |

Features

- Redundant power supply
- Non-switched in- and outputs internally loaded
- Temperature controlled fans
- Shut-down of unused amps
- Permanent monitoring of temperature, fans and modules
- SNMP (protocol version 1)



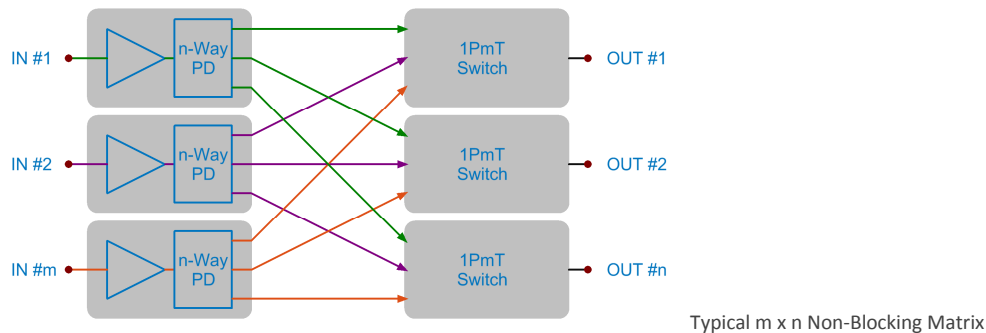
OPTIONS

The following options are available:

- Single power supply

DESCRIPTION

The MAS4489 is configured as a full fan-out non-blocking switch matrix. Each input is split to all output switches. This allows to select the input signal to be seen on each output. The obvious upside is its great switching flexibility.



The MAS4489 operates over a ultra wide frequency band from 20 MHz to 4.2 GHz and is perfectly suitable for a wide variety of RF applications.

The system supports come with Ethernet control interface, allowing setup flexibility and easy remote test management.

APPLICATIONS

- Communication satellites & Teleports
- Mobile Marine Satcom
- Radar applications
- Test laboratories
- Development centers
- ATE stations

ABOUT US

novotronic is a Germany-based electronics engineering company. **novotronic** specialises in meeting the needs of government and defence, telecommunication, broadcast and aerospace. We have about 25 years experience producing state of the art technology for your applications.

OUR SKILLS

novotronic develops and manufactures technically sophisticated products. As a **certified aerospace and defence company novotronic** operates a quality management system in accordance with ISO 9001:2015 and EN 9100:2018 (equivalent to AS 9100D and JISQ 9100:2016 including ISO 9001:2015).