

Audio Matrix Switch – KSA0382

Audio (0.02 – 20 kHz)



TECHNICAL DATA @ 25°C

Part No.	1500038
Number of inputs	32
Number of outputs	32
Architecture	Non-blocking, full-fan out Summing, full-fan in Switching: Semiconductor switches
Frequency range	0.02 – 20 kHz
Gain [dB]	0 ± 1
Loading effect [dB]	1 max.
Distortion [%]	0.5 max. (0dBm, 1kHz)
Isolation [dB]	
in/in	70 min.
in/out	65 min.
out/in	70 min.
...out/out	70 min.
Crosstalk [dB]	70 min.
Input level [Vpp]	4 max.
Switching speed [ms]	20 max.
Impedance [Ω]	
Input	600
Output	600
Connectors	
IN #01-24	BNO-f (balanced)
IN #25-32	BNC-f (unbalanced)
...OUT #01-24	BNO-f (balanced)
OUT #25-32	BNC-f (unbalanced)

Local control	LC display and keyboard, front panel
Remote control	RJ45 Ethernet port 10/100 Base T. TCP/IP & UDP, GUI (browser interface) RS-232/422/485 interface (selectable)
Power supply	20-30 V DC
Power connector	XLR, 3-pin plug
Power consumption	1.2A @ 24V DC
Temperature range	
Operating	0 ... +40°C
Storage	-10 ... +60°C
Colour:	Front panel: RAL7032
Attached hardware	Power cord Operating manual
Dimensions (wxhxd)	483mm x 134mm x 355mm (19" drawer, 3U)
Weight [kg]	6.5

Features:

- Balanced and unbalanced in and out signals
- Permanent monitoring of internal temperature, modules and switch positions



STANDARDS / APPROVALS

- MIL-STD-461F
- ✓ RE102 radiated emission
- ✓ RS103 radiated susceptibility
- ✓ CE102 conducted emission
- ✓ CS101 conducted susceptibility
- ✓ CS114 conducted susceptibility
- ✓ CS115 conducted susceptibility
- ✓ CS116 conducted susceptibility
- MIL-STD-810F
- ✓ Method 500.4 low pressure, procedure II
- ✓ Method 501.4 high temperature, procedure II
- ✓ Method 502.4 low temperature, procedure II
- ✓ Method 507.4 humidity, 240h
- ✓ Method 514.5 vibration
- ✓ Method 516.5 shock

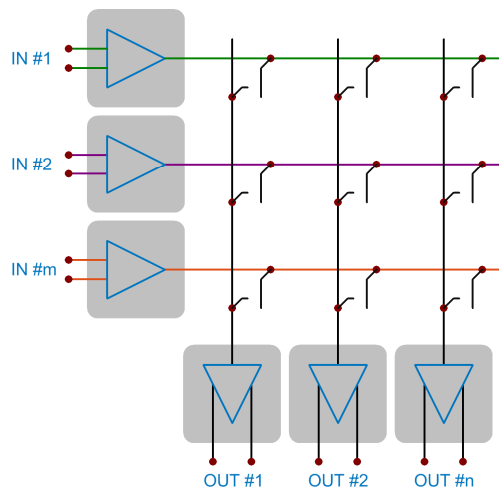
OPTIONS

The following options are available:

- 115/230 VAC power supply
- Other impedances
- Remote control software
- SNMP (protocol version 1)

DESCRIPTION

novotronic Audio Matrix Switches are designed to route either balanced or unbalanced audio signals. The KSA0382 provides routing of 32 audio sources to a maximum of 32 zones, and includes a wide variety of features. The Matrix Switch completely eliminates the need to constantly move around audio input and output cables.



Typical m x n Matrix Switch

The KSA0382 requires 20-30VDC power to operate. The system supports come with serial and Ethernet control interfaces, allowing setup flexibility and easy remote control. LCD and keyboard feature a local control.

The KSA0382 was developed for mobile use in vehicles.

APPLICATIONS

- Military intercommunication in mobile platforms
- Broadcast studio signal switching
- Test laboratories

ABOUT US

novotronic is a Germany-based electronics engineering company. **novotronic** specialises in meeting the needs of government and defence, telecommunication, broadcast and aerospace. We have about 25 years experience producing state of the art technology for your applications.

OUR SKILLS

novotronic develops and manufactures technically sophisticated products. As a **certified aerospace and defence company novotronic** operates a quality management system in accordance with ISO 9001:2015 and EN 9100:2018 (equivalent to AS 9100D and JISQ 9100:2016 including ISO 9001:2015).